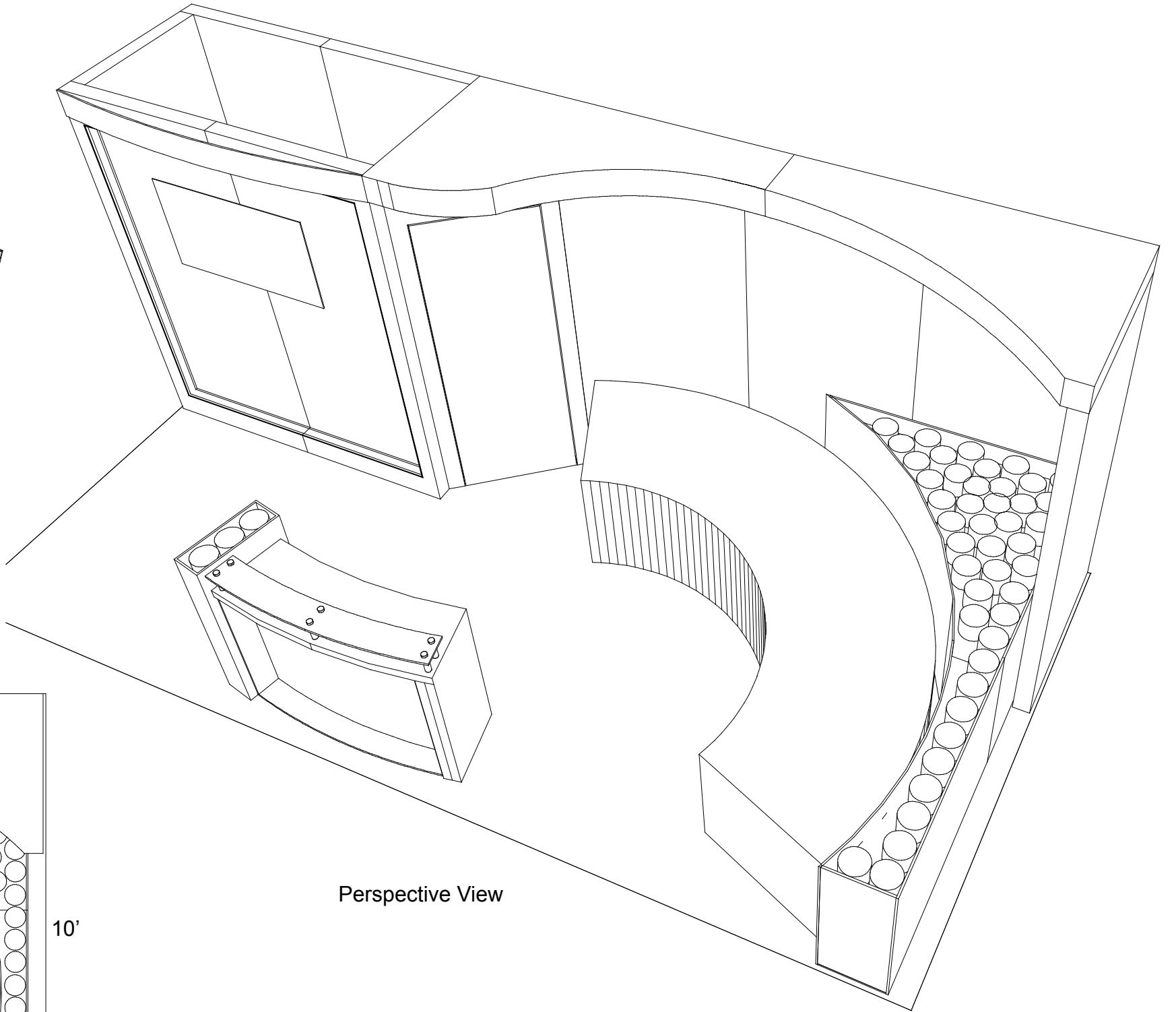
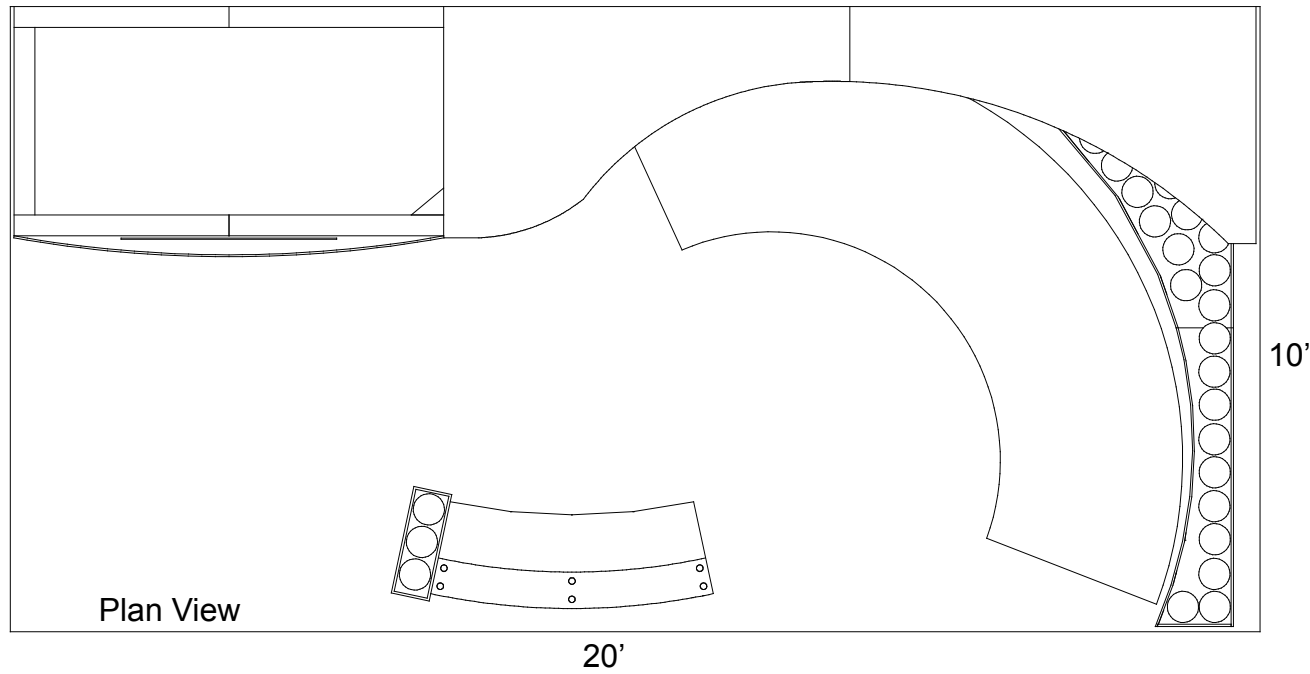


Perspective View



Perspective View



Plan View

20'

10'

WHEN DISASSEMBLING ALUMINUM EXTRUSION, TIGHTEN ALL SETSCREWS AND LOCKS TO PREVENT LOSS DURING SHIPPING

visionary[™]
DESIGNS

General Setup Instructions

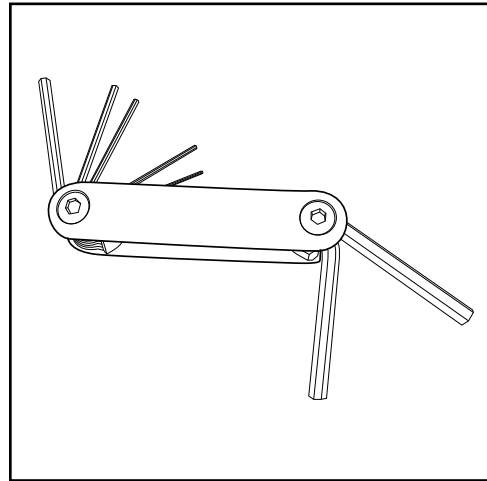
- Read entire setup instruction manual prior to unpacking parts and pieces.
- The setup instructions are created specifically for this configuration.
- Setup instructions are laid out sequentially in steps, including exploded views with detailed explanation for assembly.

Cleaning & Packing

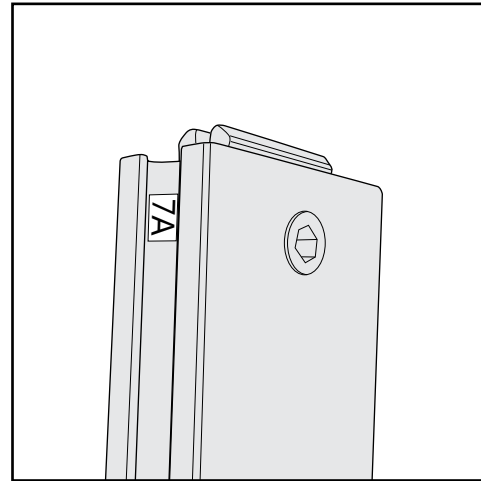
- For Cleaning Metal, Plex, & Laminate Parts: Use a **MILD NON-ABRASIVE** cleanser and soft cloth/paper towel to clean all surfaces.
- Keep exhibit components away from heat and prolonged sun exposure. **Heat and UV exposure will warp and fade components.**
- Retain all provided Packing Materials. All provided packing materials are for ease of repacking & component protection.

Disassembly

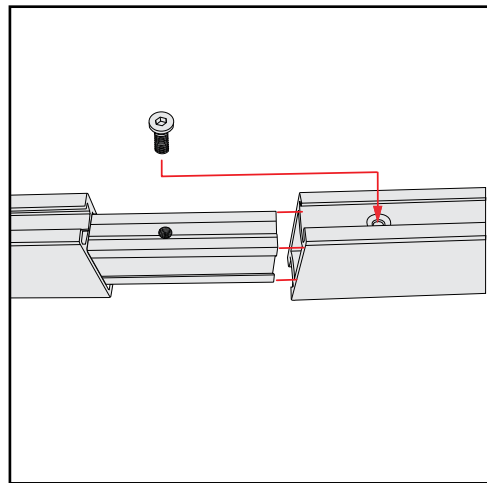
- For loss prevention, tighten all setscrews and locks during disassembly



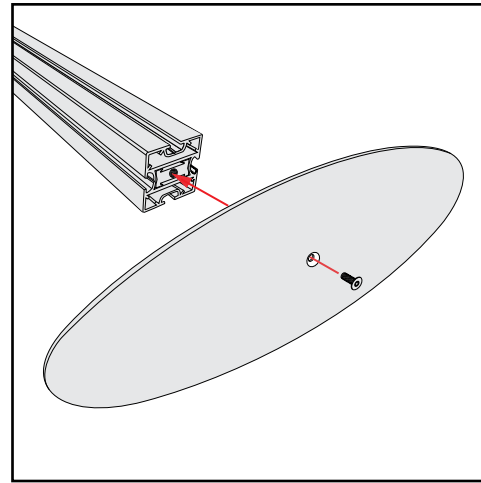
Hex Tool - Essential for Assembly



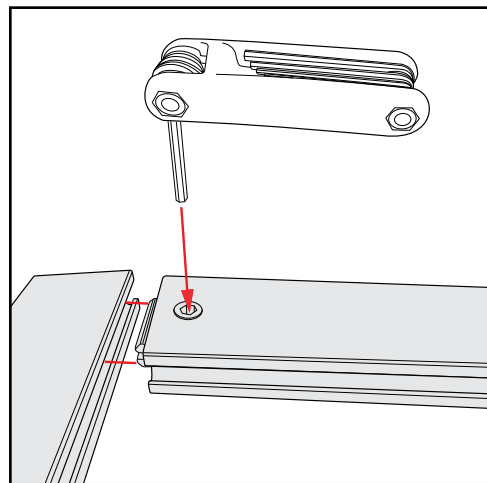
Part Identification - Numbering



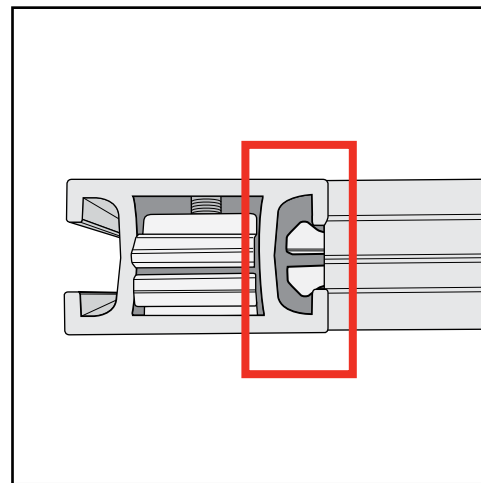
Spline Connection



Base Plate & Extrusion Connection



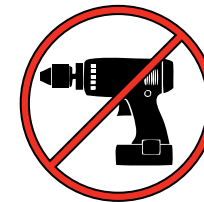
Extrusion & Lock Connection



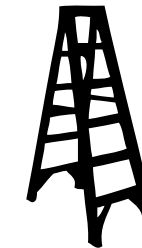
Engaged Lock



WARNING



DO NOT USE POWER TOOLS



LADDERS OR LIFTS
MAY BE REQUIRED



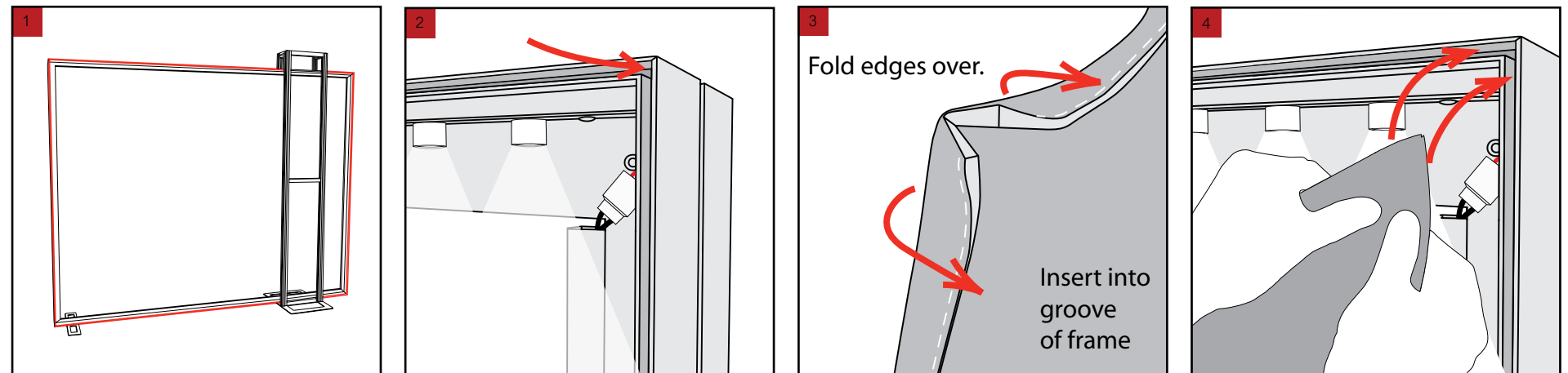
ALL CONNECTIONS MUST
BE TIGHTLY SECURED

WHEN DISASSEMBLING ALUMINUM EXTRUSION, TIGHTEN ALL SETSCREWS AND LOCKS TO PREVENT LOSS DURING SHIPPING



SEG Graphic Installation

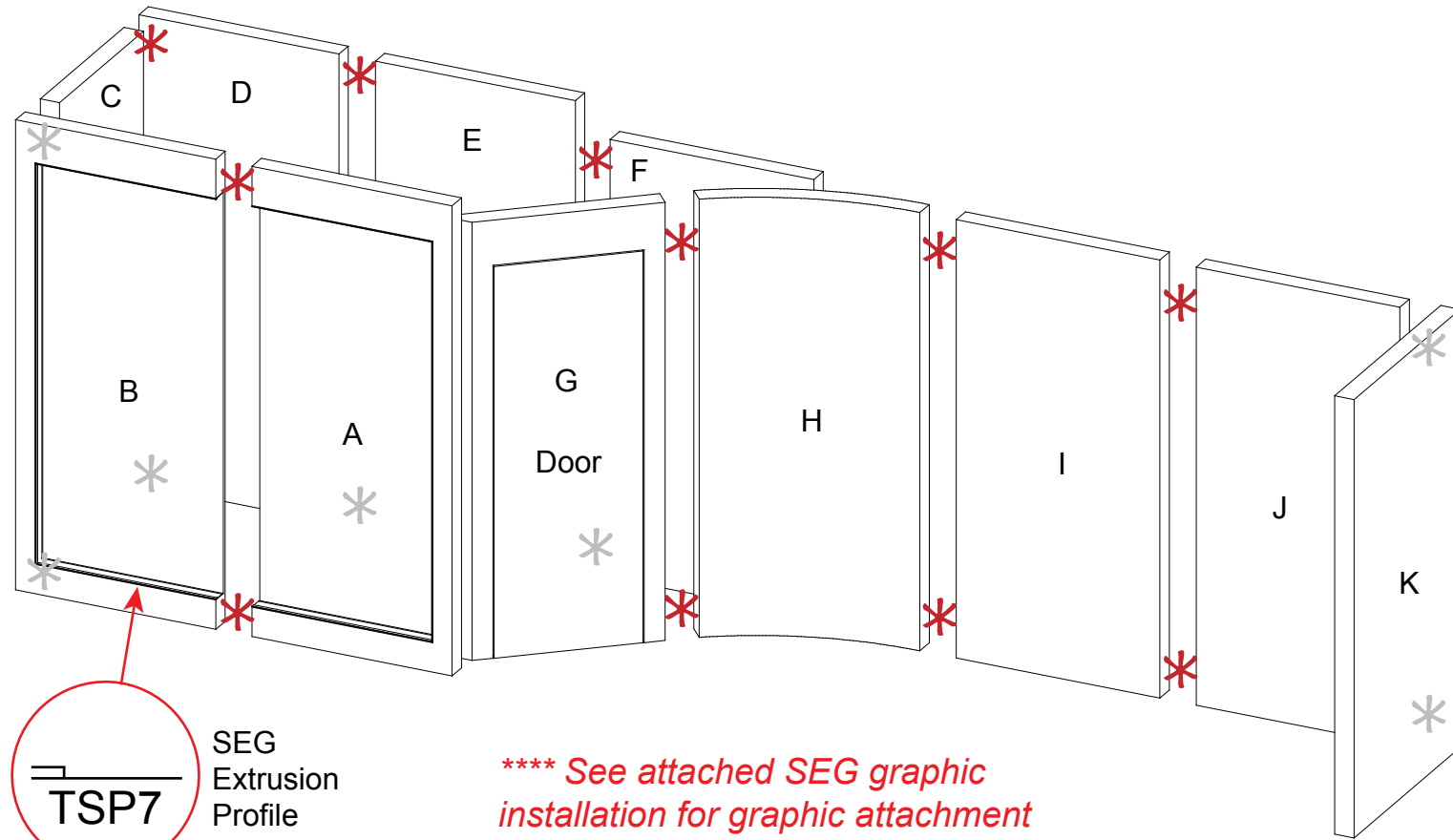
- 1) Locate channels along the edges of extrusions
- 2) Insert graphic corners first into channels then center point of graphic into channels. Allows for proportional fit around the perimeter of the extrusion.
- 3) Working from center to corner, slide silicon edge on graphic into channel.
- 4) After all edges of graphic have been inserted into channels, step back and assess graphic fit, make adjustments where needed.



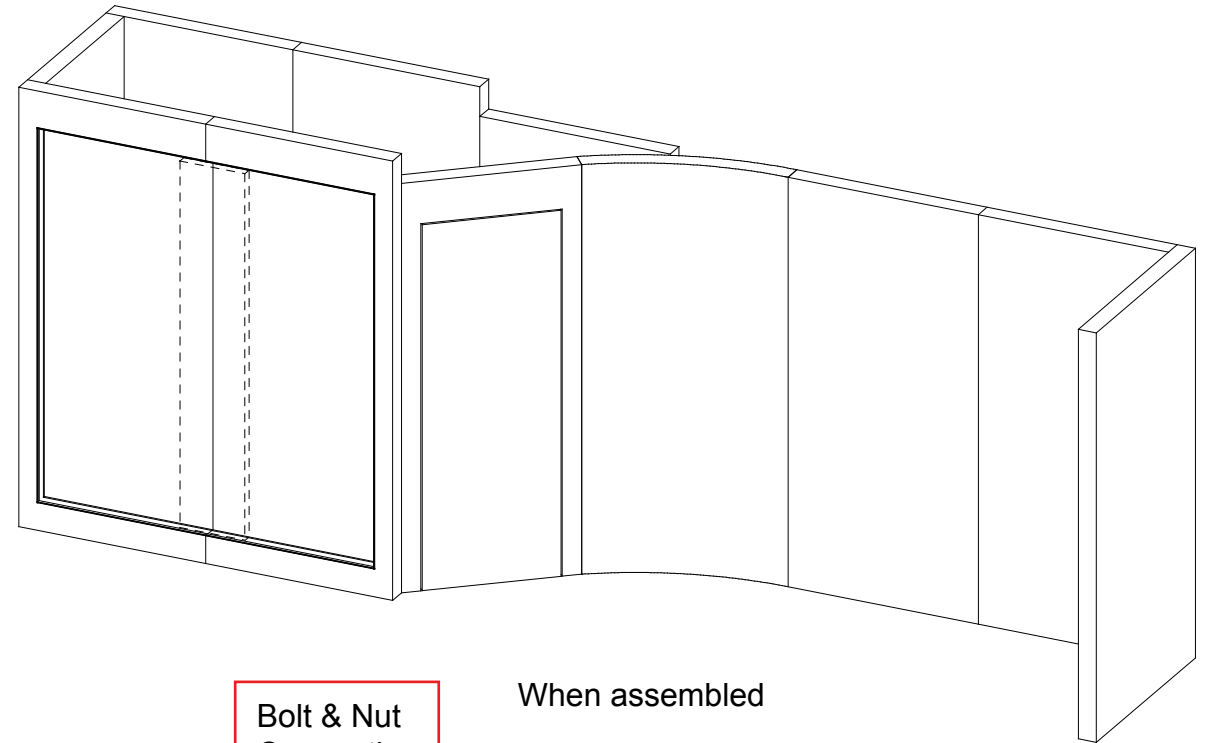
WHEN DISASSEMBLING ALUMINUM EXTRUSION, TIGHTEN ALL SETSCREWS AND LOCKS TO PREVENT LOSS DURING SHIPPING

866.652.2100

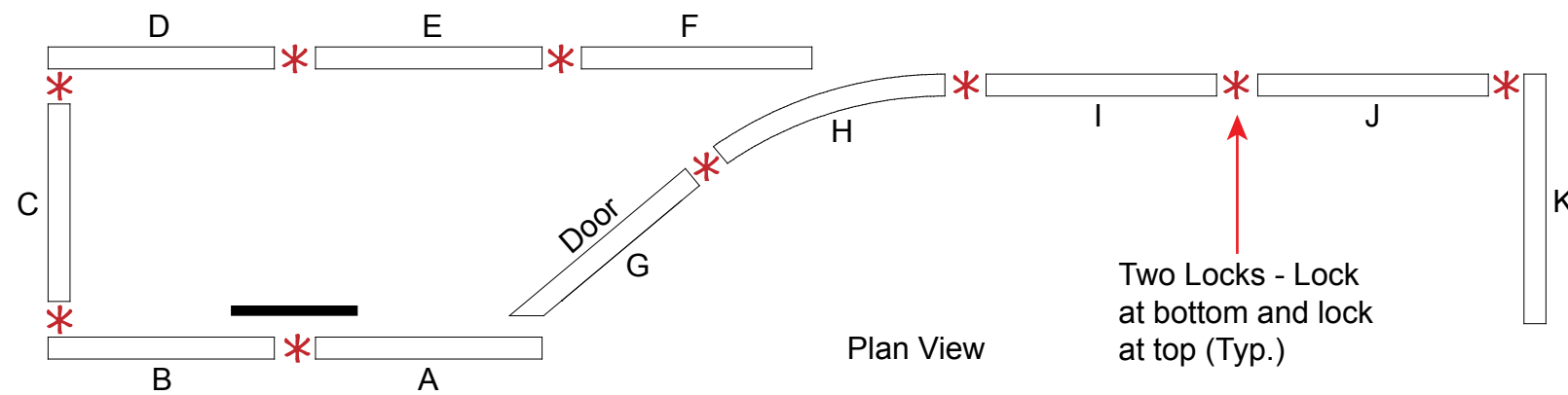
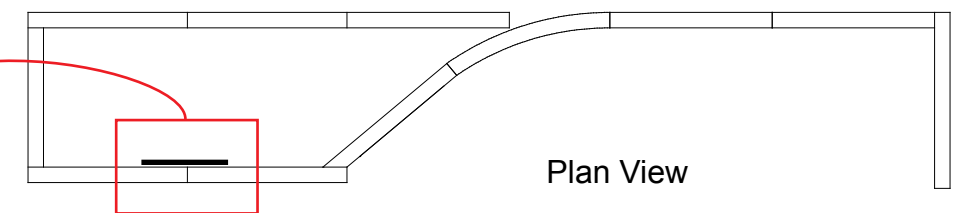
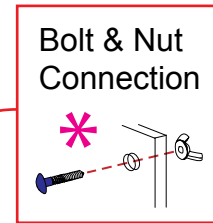
- Steps:
- 1) Connect panels together using custom cam locks as shown. Refer to detail.
 - 2) Join panel [A & B] together with vertical narrow wood panel using bolts and wing nuts.



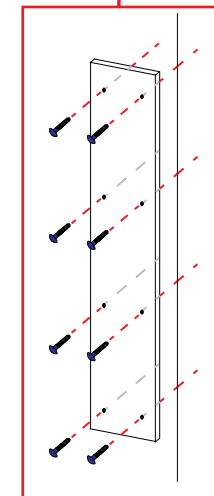
**** See attached SEG graphic installation for graphic attachment



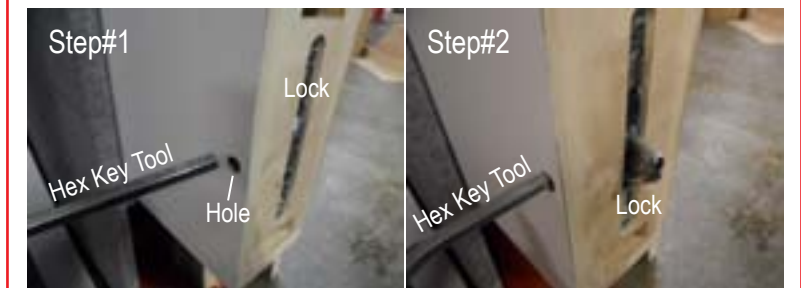
When assembled



Two Locks - Lock at bottom and lock at top (Typ.)



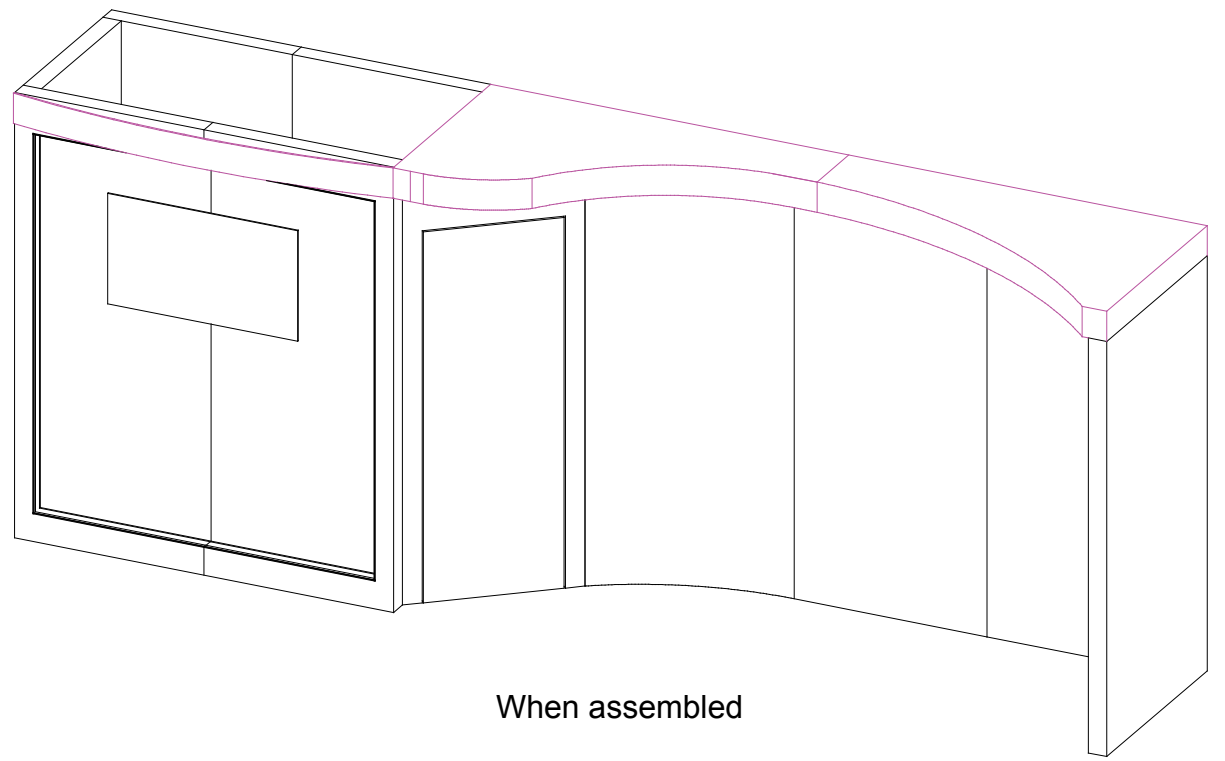
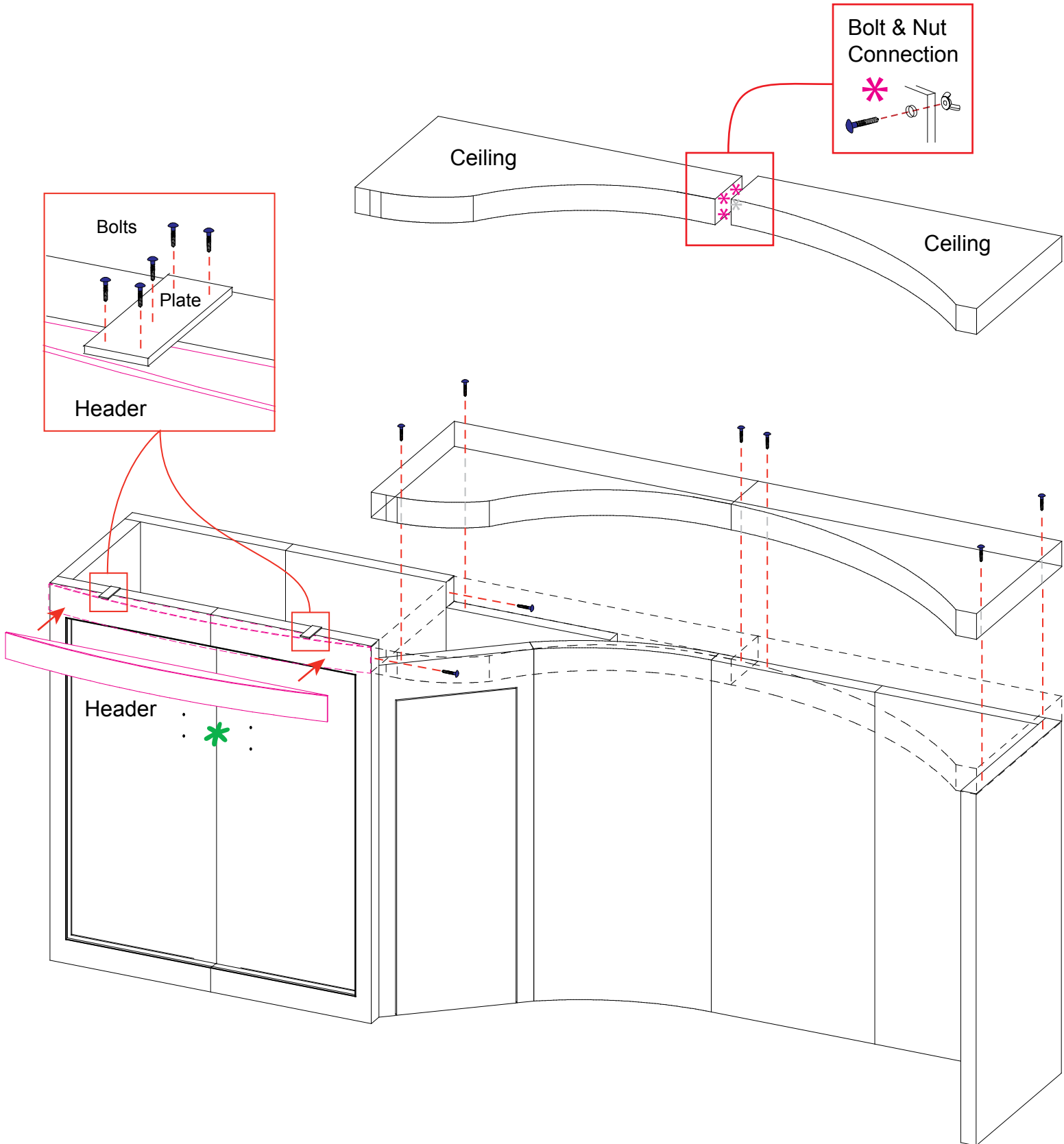
*** Custom Cam Lock Attachment**



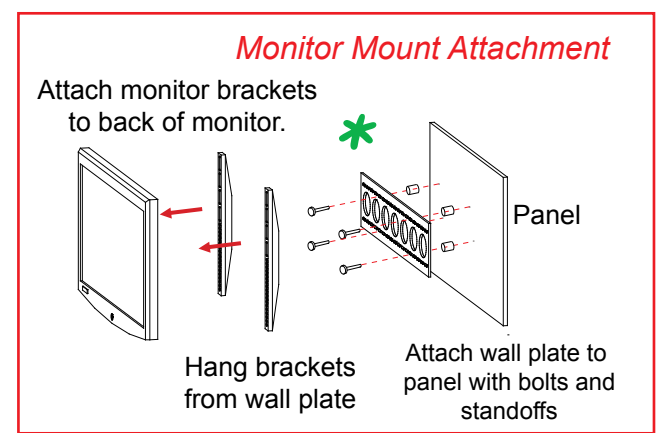
Place hex tool in hole on side of panel and rotate to activate lock and attach panels together.

WHEN DISASSEMBLING ALUMINUM EXTRUSION, TIGHTEN ALL SETSCREWS AND LOCKS TO PREVENT LOSS DURING SHIPPING

866.652.2100

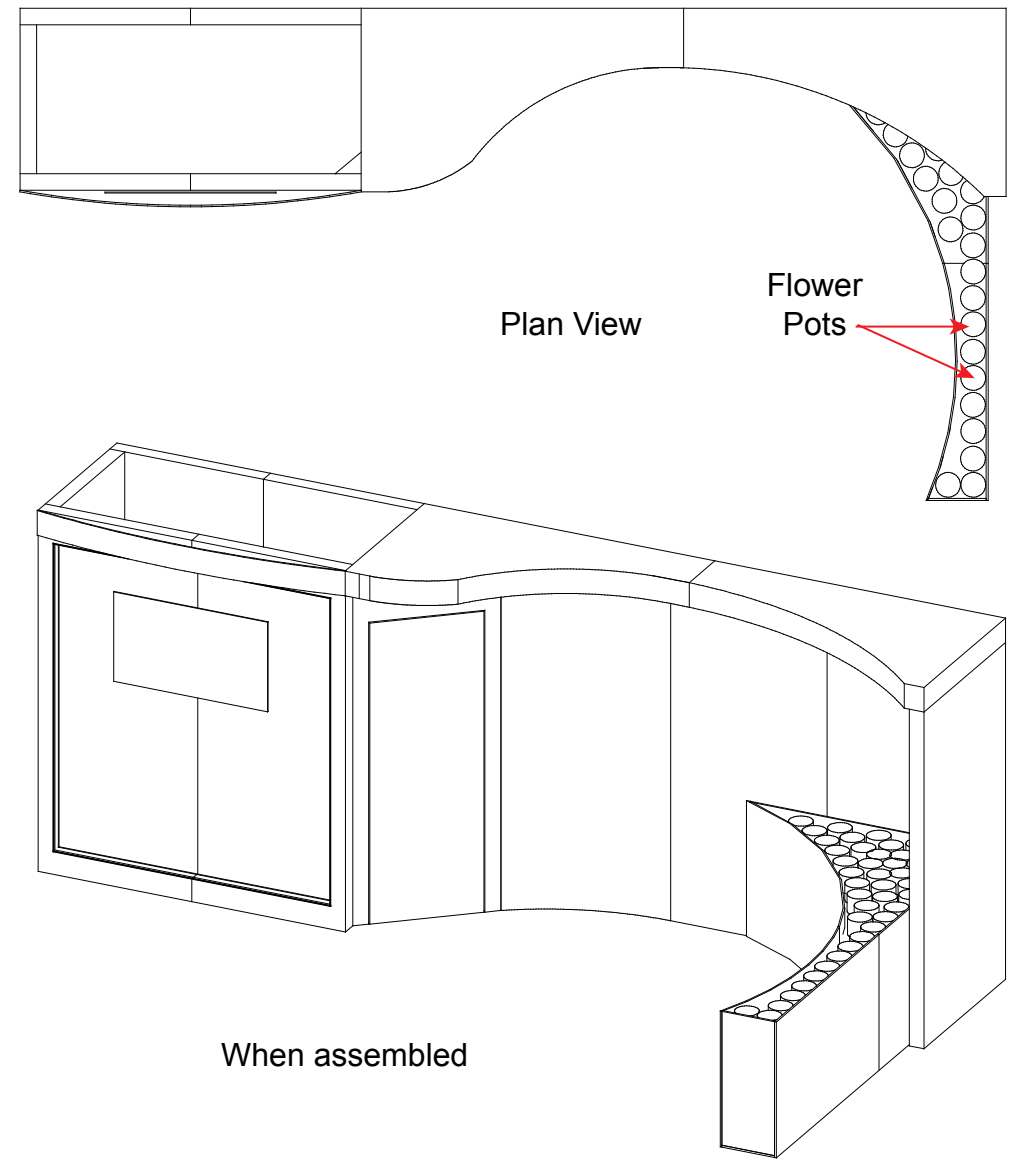
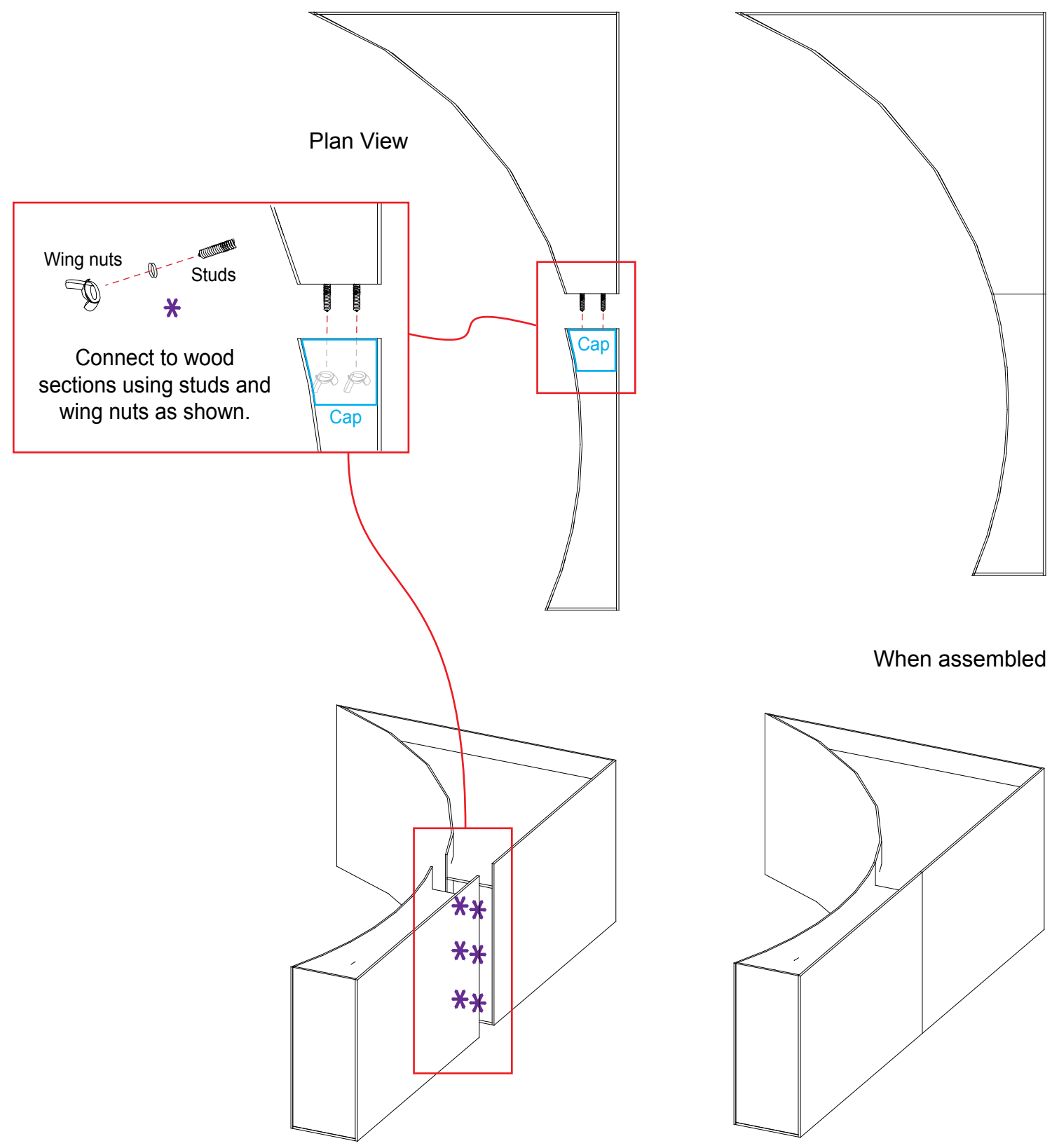


- Steps:
- 1) Connect ceiling pieces together using bolts and wing nuts. Refer to detail.
 - 2) Attach assembled ceiling atop assembled wall panels using bolts as shown.
 - 3) Attach header to assembled wall panels with metal plates using bolts.
 - 4) Attach monitor mount to backwall as shown. Refer to detail.



WHEN DISASSEMBLING ALUMINUM EXTRUSION, TIGHTEN ALL SETSCREWS AND LOCKS TO PREVENT LOSS DURING SHIPPING

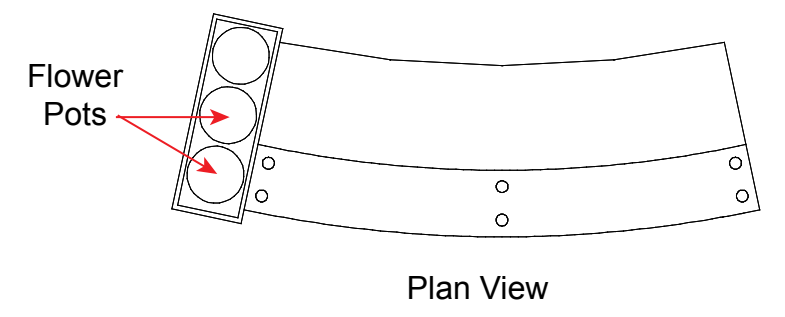
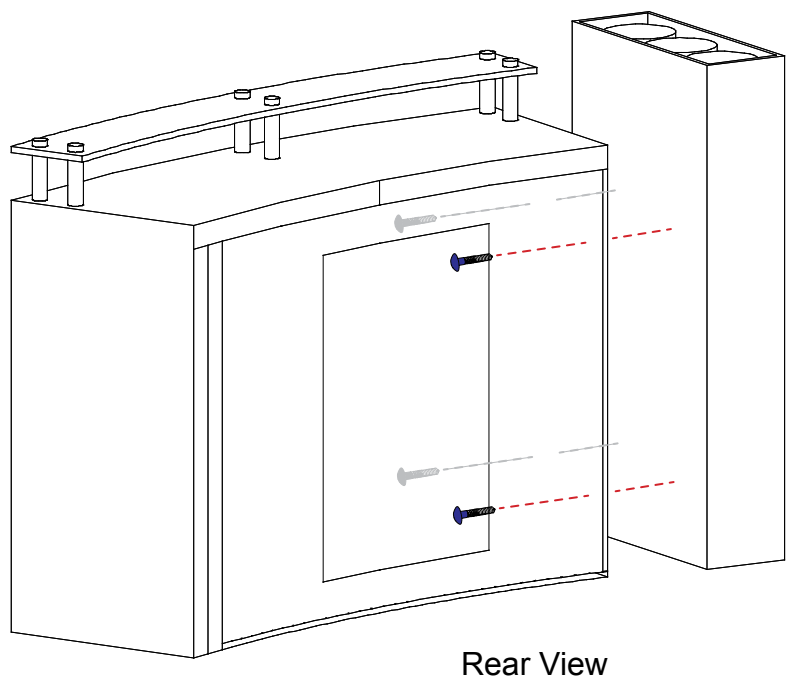
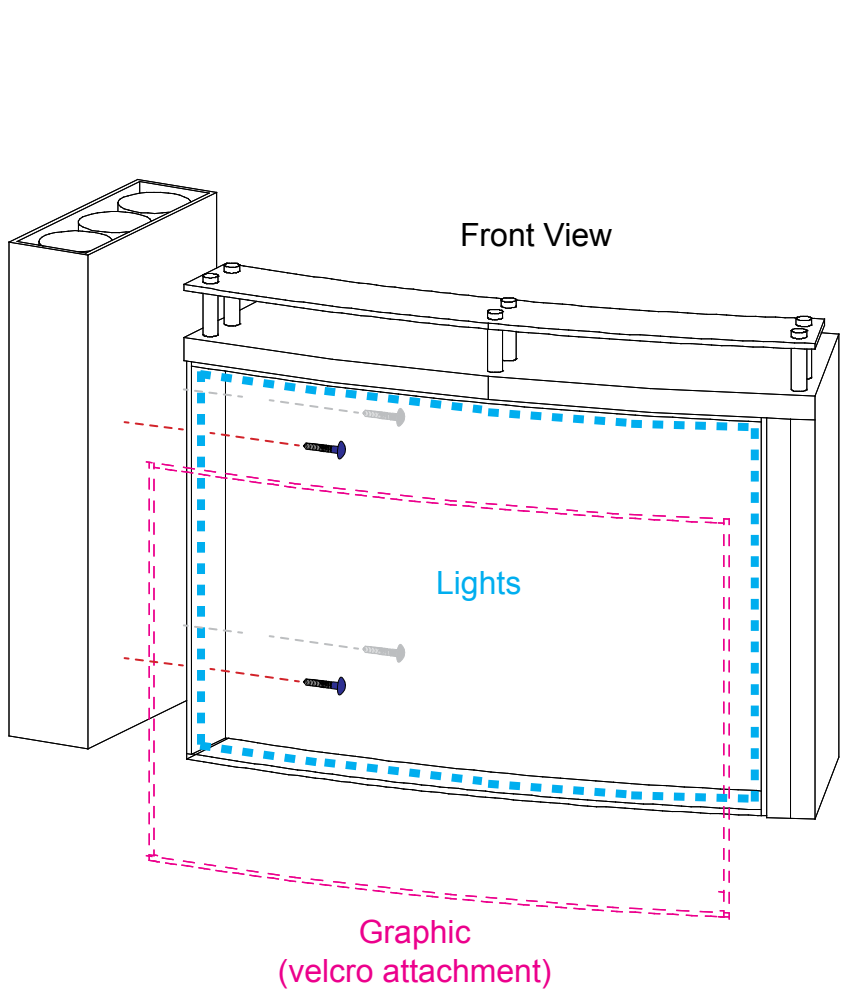
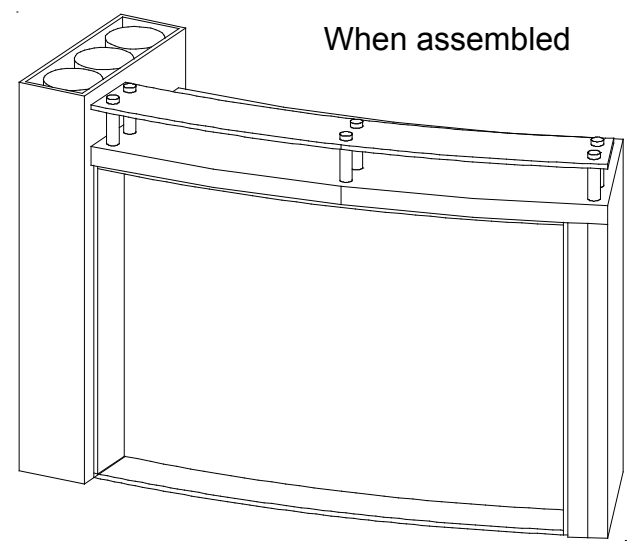
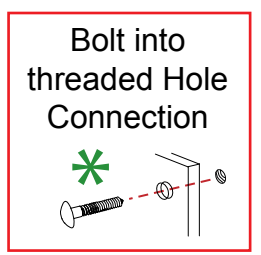
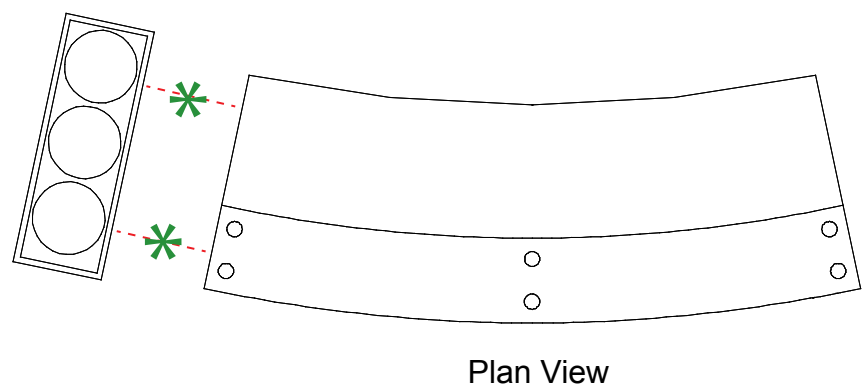
866.652.2100



- Steps:
- 1) Remove cap and connect to wood sections together using studs and wing nuts. Refer to detail.
 - 2) Rest assembled planter box against assembled backwall.
 - 3) Place flower pots inside assembled planter box as shown above.

WHEN DISASSEMBLING ALUMINUM EXTRUSION, TIGHTEN ALL SETSCREWS AND LOCKS TO PREVENT LOSS DURING SHIPPING

866.652.2100



- Steps:
- 1) Connect two piece reception counter together using bolts. Refer to detail.
 - 2) Place flower pots atop assembled reception counter.
 - 3) Velcro attach graphic to front of reception counter.

WHEN DISASSEMBLING ALUMINUM EXTRUSION, TIGHTEN ALL SETSCREWS AND LOCKS TO PREVENT LOSS DURING SHIPPING